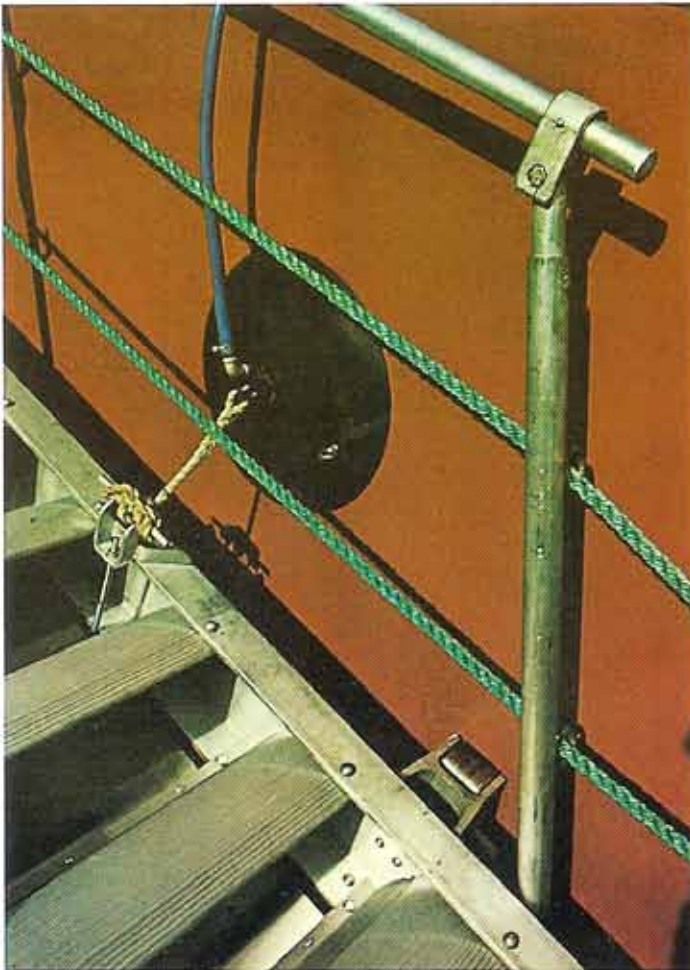


# AB **W** ELIN

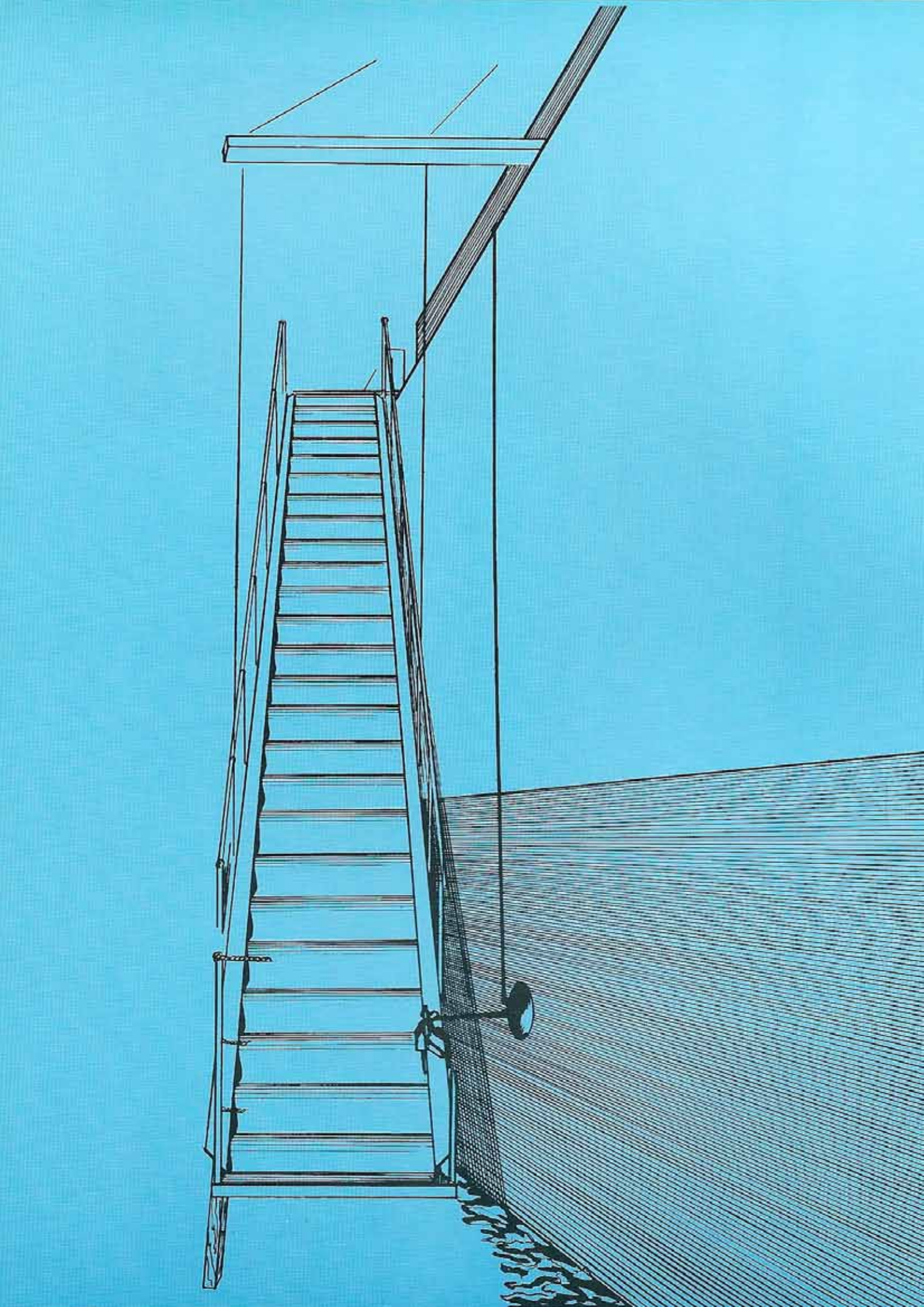


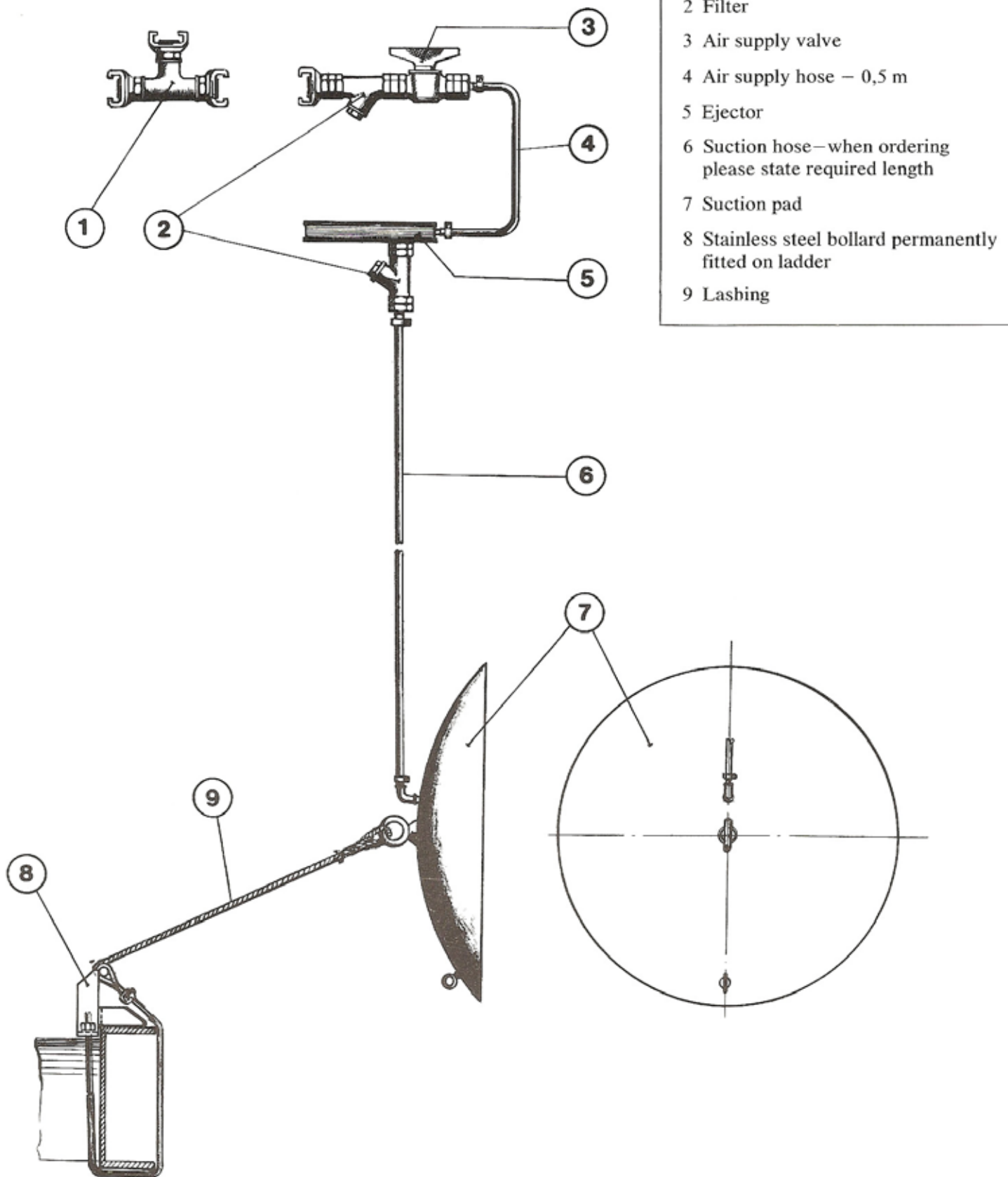
- easy to handle
- clings firmly even to rough surfaces
- no moving parts
- connected direct to ships air-supply
- filter in both supply and suction hose
- low air consumption – 63 NI/min at 600 kPa
- low noise level – ca 55 dBA

## **INCREASE SAFETY WHEN USING THE ACCOMMODATION LADDER**

Always keep the ladder against the ship's side with a suction pad connected to an ejector

Effective way of preventing the ladder from swinging







# AB WELIN

Fiskhamnsgatan 4  
SE-414 58 GÖTEBORG  
SWEDEN

Tel. +46-31-42 77 70  
Fax +46-31-12 73 04  
Email: mail@welin.se

The ejector's strong suction effect – 250 NI/min – keeps the suction pad firmly against uneven surfaces.

Test load 4 kN (400 kg).

Abroad, please contact:

**AKTIEBOLAGET**

Fiskhamnsgatan 4, S-414 58 GÖTEBORG, Sweden  
Tel: +46 31 42 77 70  
Fax: +46 31 12 73 04  
welin.ab@swipnet.se

