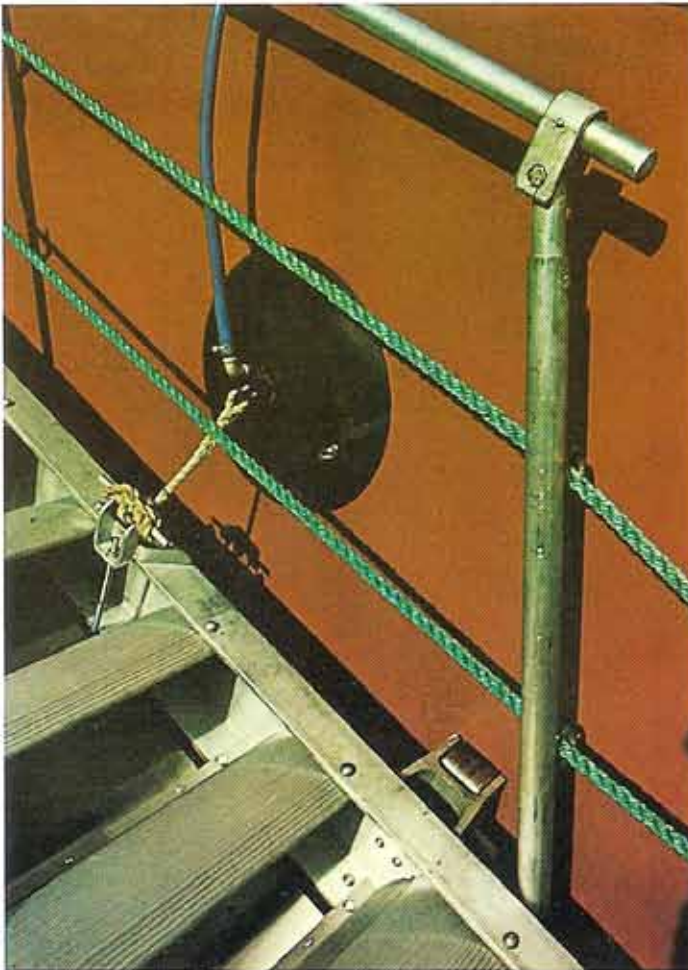


AB **W** ELIN

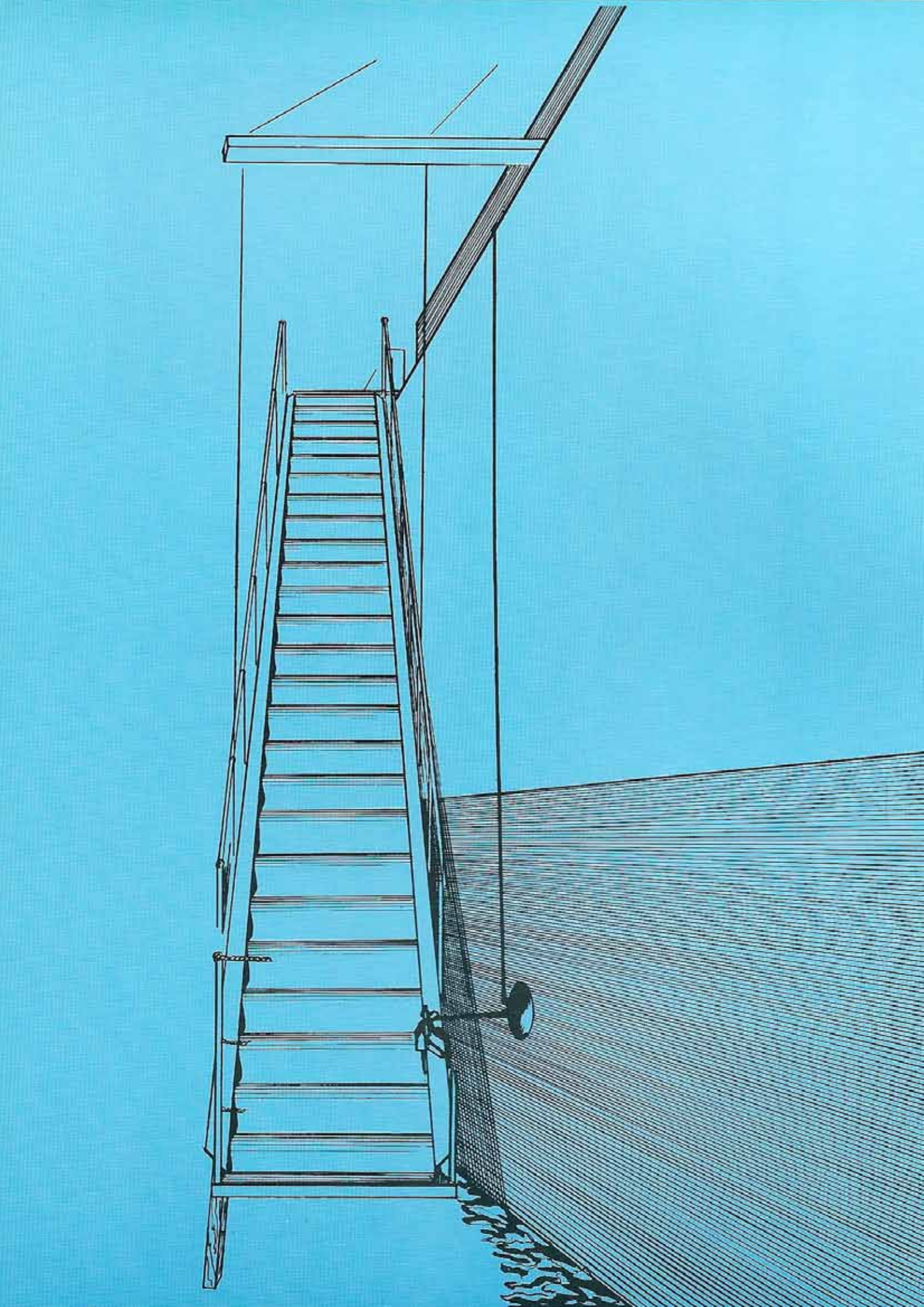


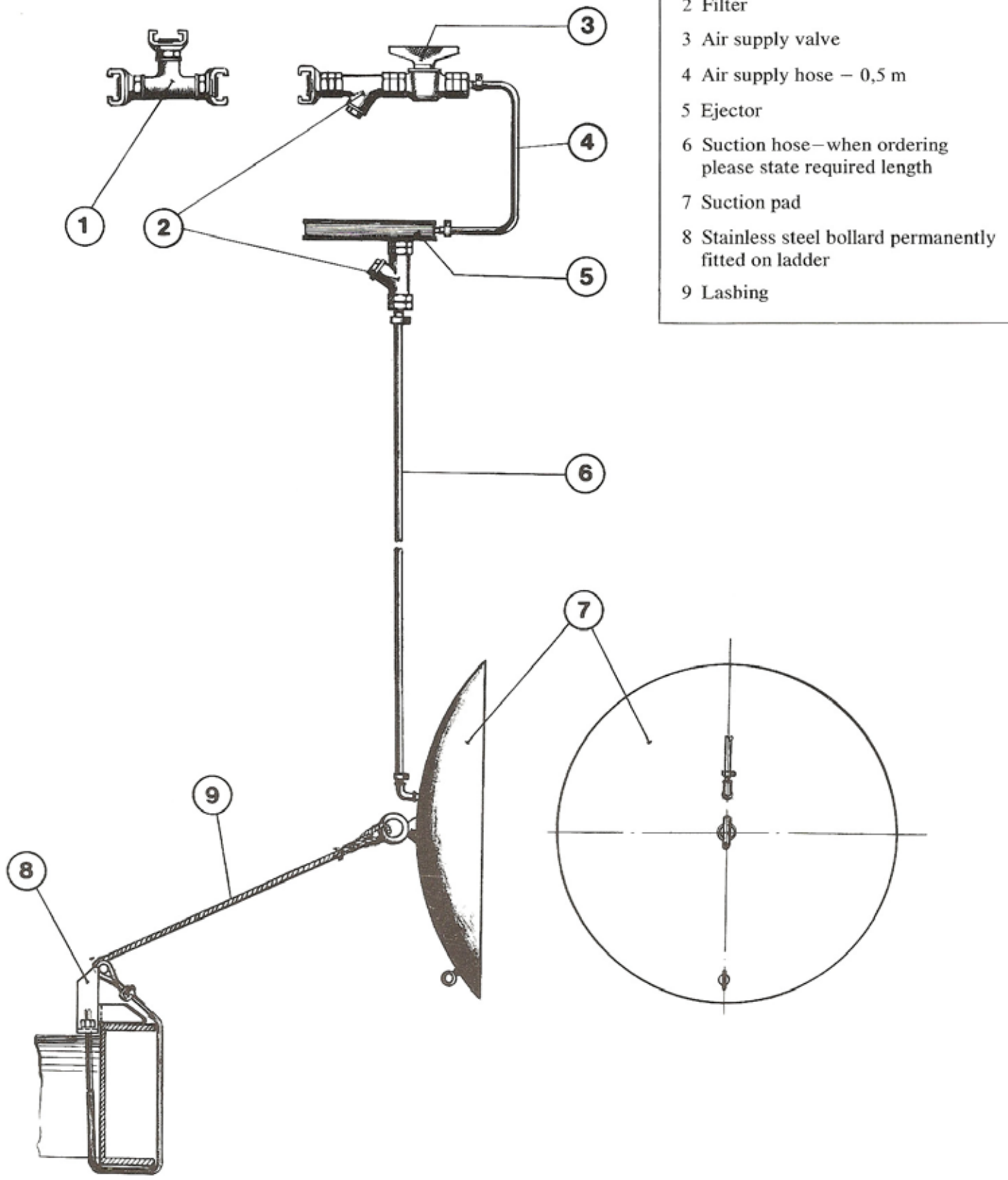
- easy to handle
- clings firmly even to rough surfaces
- no moving parts
- connected direct to ships air-supply
- filter in both supply and suction hose
- low air consumption – 63 NI/min at 600 kPa
- low noise level – ca 55 dBA

INCREASE SAFETY WHEN USING THE ACCOMMODATION LADDER

Always keep the ladder against the ship's side with a suction pad connected to an ejector

Effective way of preventing the ladder from swinging





- 1 T-connection with couplings
- 2 Filter
- 3 Air supply valve
- 4 Air supply hose – 0,5 m
- 5 Ejector
- 6 Suction hose – when ordering please state required length
- 7 Suction pad
- 8 Stainless steel bollard permanently fitted on ladder
- 9 Lashing



AB WELIN

Fiskhamnsgatan 4
SE-414 58 GÖTEBORG
SWEDEN

Tel. +46-31-42 77 70
Fax +46-31-12 73 04
Email: mail@welin.se

The ejector's strong suction effect – 250 NI/min – keeps the suction pad firmly against uneven surfaces.

Test load 4 kN (400 kg).

Abroad, please contact:

AKTIEBOLAGET

Fiskhamnsgatan 4, S-414 58 GÖTEBORG, Sweden
Tel: +46 31 42 77 70
Fax: +46 31 12 73 04
welin.ab@swipnet.se

